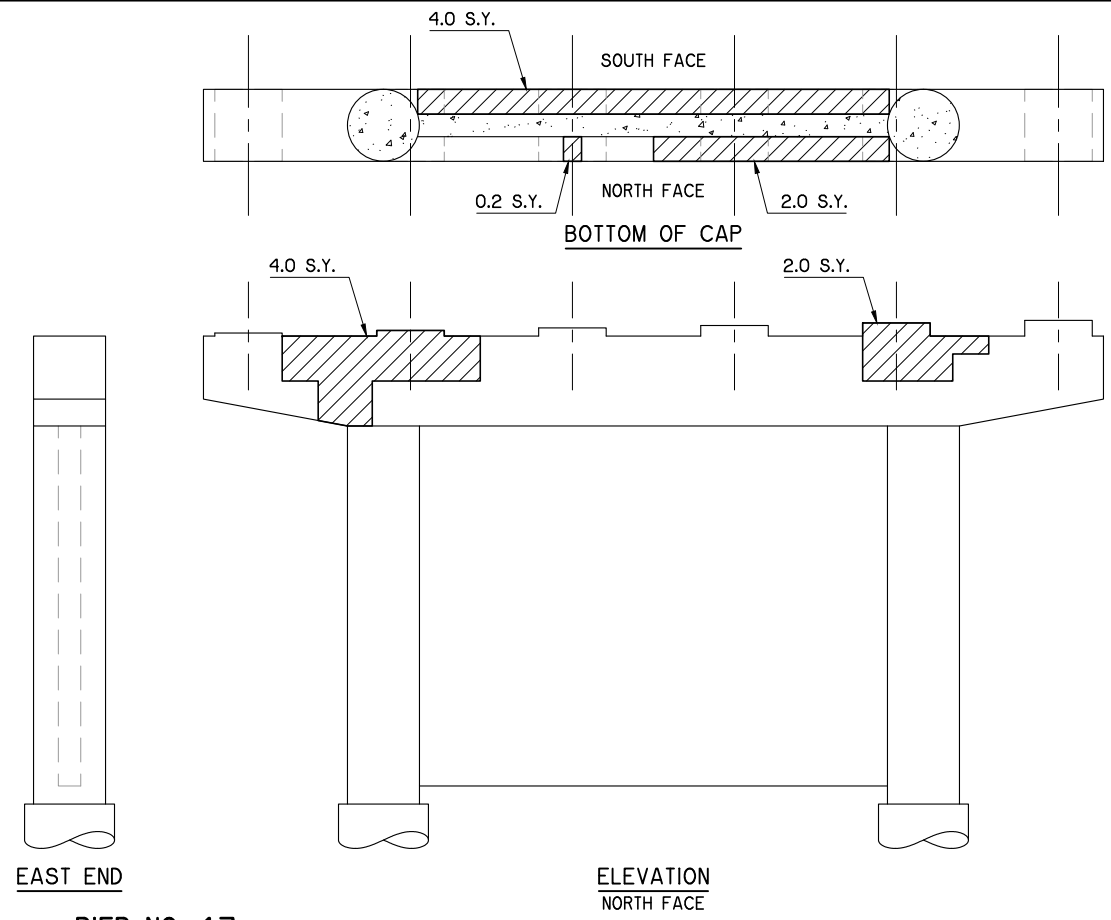
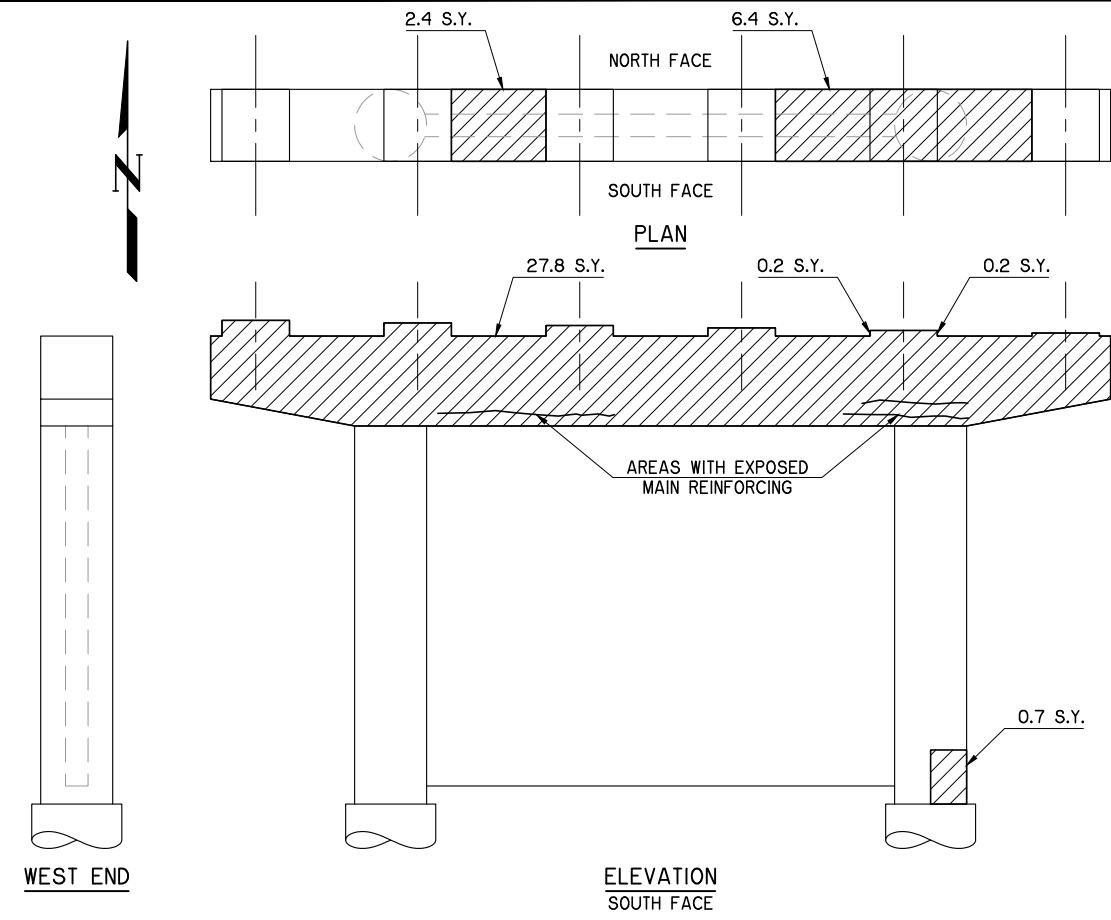
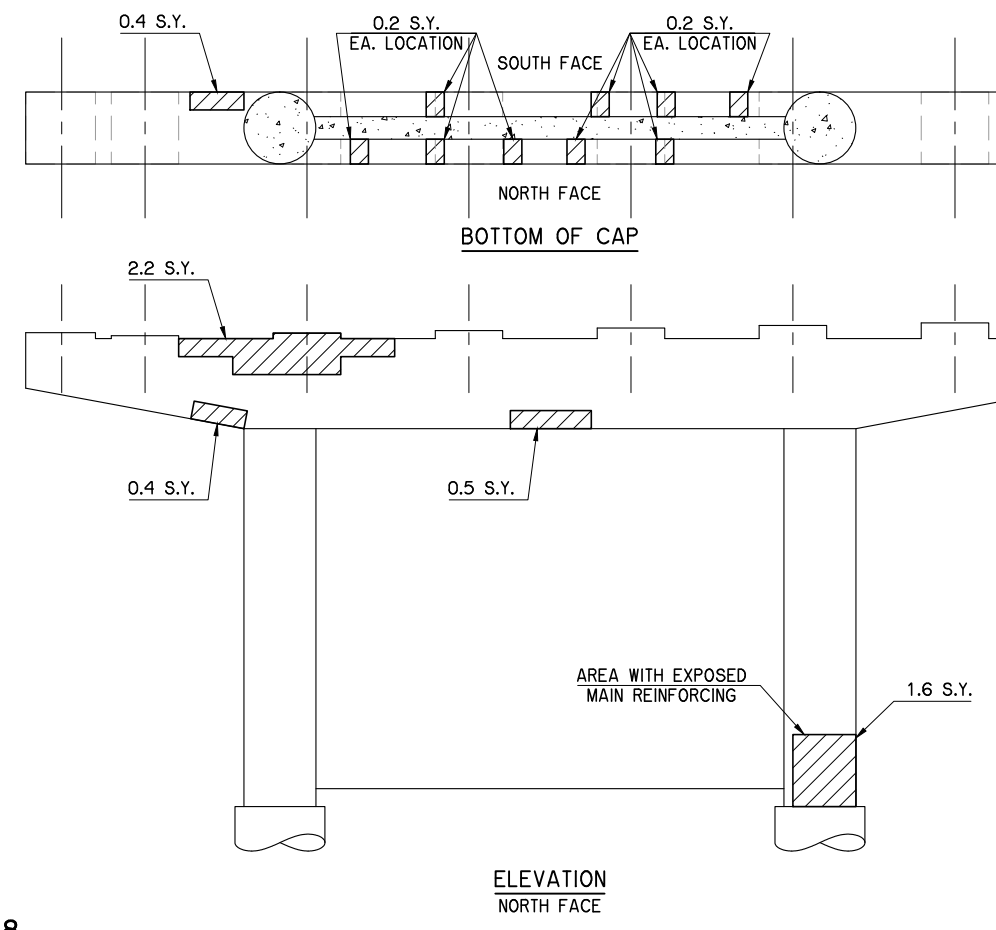
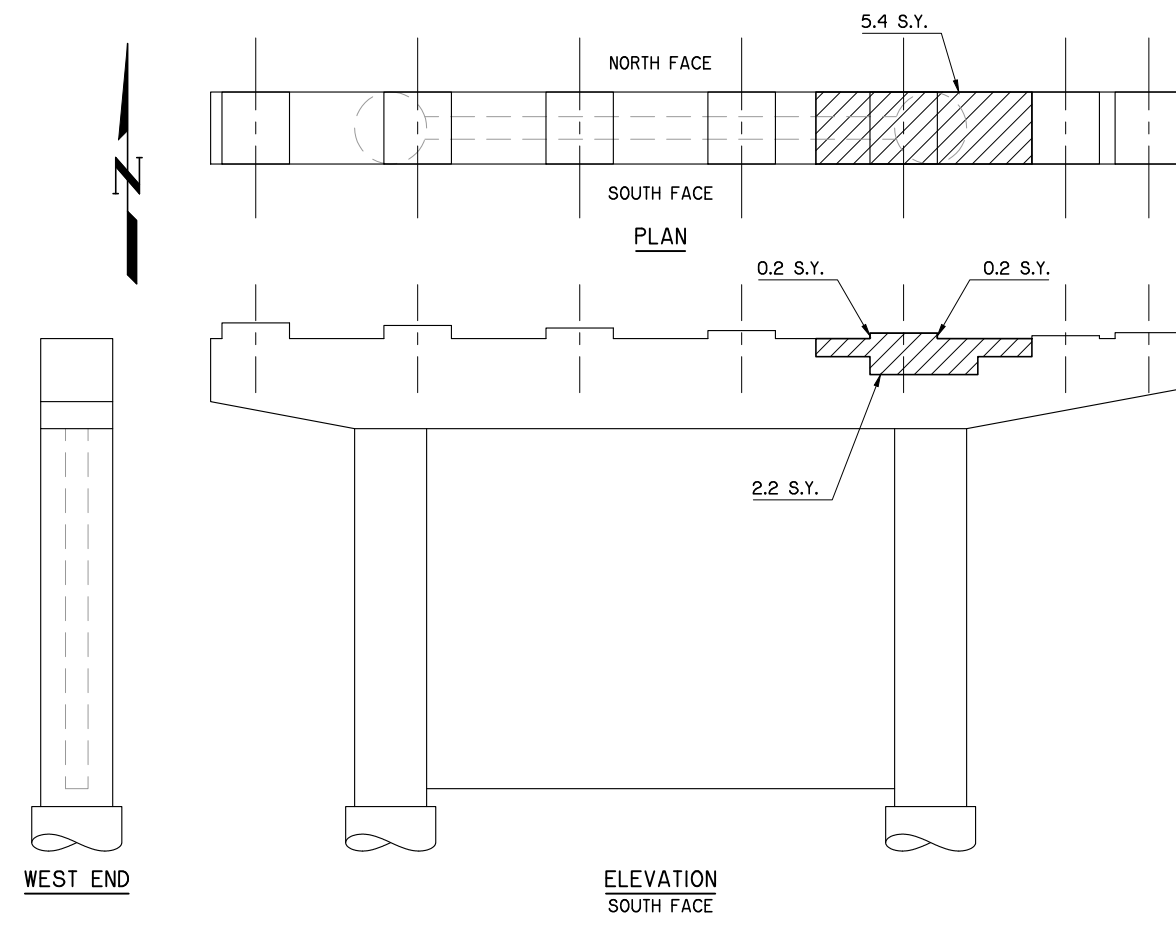


REVISIONS		
REV. NO.	DESCRIPTION	DATE



**PIER NO. 17**



**PIER NO. 18**

**LEGEND**

	PREPARATION OF CRACKS (ABOVE WATER)
	REPAIR BRIDGE ITEMS

I:\Active\1626\Drawings\21 Pier 17 & 18.dwg, 6/12/2017 11:13:05 AM, Fred

SH 51 NB OVER ARKANSAS RIVER		TULSA COUNTY		Design	ADT
<b>PIER REPAIR DETAILS</b> PIER NO. 17 AND NO. 18				Detail	FEZ
				Check	ADT
<b>STATE OF OKLAHOMA</b>				WHITE ENGINEERING ASSOCIATES	
				DEPARTMENT OF TRANSPORTATION	